



solutions holding your ideas.

L³

Light, lasting, limitless

The new generation of steel decks



Light

Thanks to the improved design of the profile featuring side cuts and smaller deck body heights, the certified L³ steel decks are 10% lighter than the market average.



EN 12810-1



Safer handling



Faster scaffolding assemblies



Smaller project costs



Your benefit

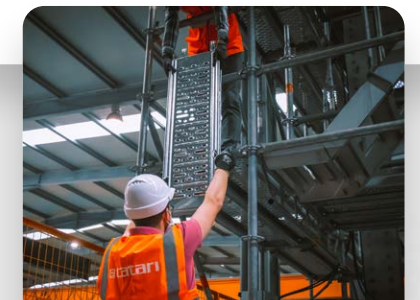
Decking represents 20 to 30% of scaffolding material costs. By reducing labour costs and improving the safety of the scaffolders, its impact on project costs is reduced.

For major safety, the stamping of the profile provides an anti-slip surface, the stabilizer and the blocking detent reduce the rembling and increase the walking comfort.



Work-related disorders and repetitive strain injuries, from lifting or moving heavy loads, represent 38% of all reported fatal and non-fatal serious accidents at work.

Being a lightweight product, the L³ steel decks are easier and faster to install, resulting in shorter times of scaffolding assemblies and more active scaffolders.



Lasting


Scaffolding applications are real endurance tests. To resist this, these steel decks are hot dipped galvanised as just one element to last longer.

 EN ISO 15614-12
EN ISO 14732
EN ISO 1461

 No loose parts

 Weather and collision resistant

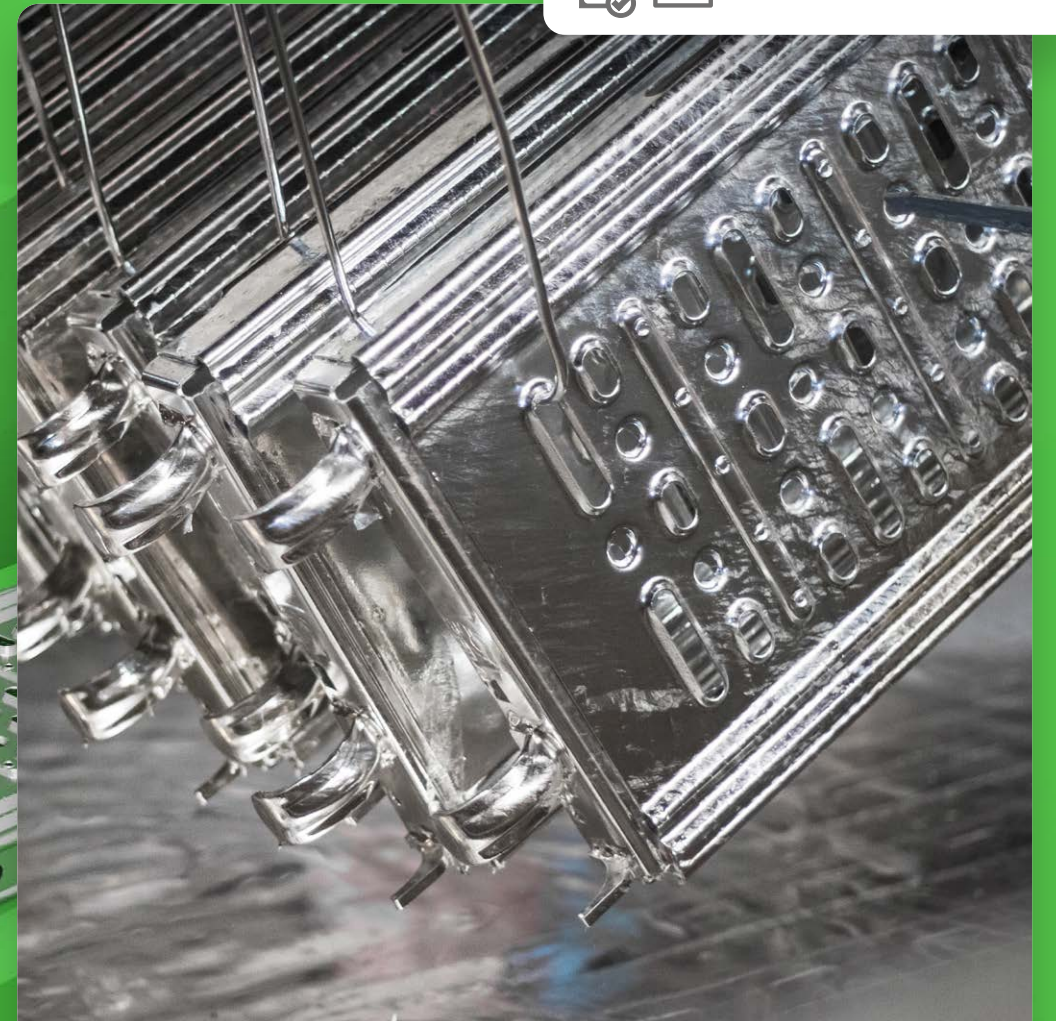
 Heavy duty industrial suitable

 Whether being used for industrial or construction works, a long lasting scaffold component means you won't have to substitute it too many times and a tough one means workers and structures are safe.

Your benefit

The welding technology used to connect the end plate to the deck body, creates a stronger and cleaner connection with high precision and resistance. As a result, the L³ deck is assembled as a single piece - with no bolts.

Once the steel deck is fully assembled it goes through a series of baths of acids and molten zinc. This finishing process creates a hard coating of zinc with at least 70µ, providing the L³ decks a lifespan that can last twice as much as as much as decks produced with pregalvanised sheet.



Limitless

The optimised position of the hooks, makes the L³ steel decks able to match different scaffold platforms and fit most scaffold systems.

Two ranges of decks are available: the heavy duty - 0,73 m to 3,07 m - which can bear loads up to 600 kg/m² and the light loads range, also more economical - 2,57 m and 3,07 m.

With the capacity of at least 200 000 units per year, we have the ability of providing bespoke models.

Customisation options



Select between 6 cm and 7 cm profiles, according to the load capacity needed.



Choose the width of the body deck.



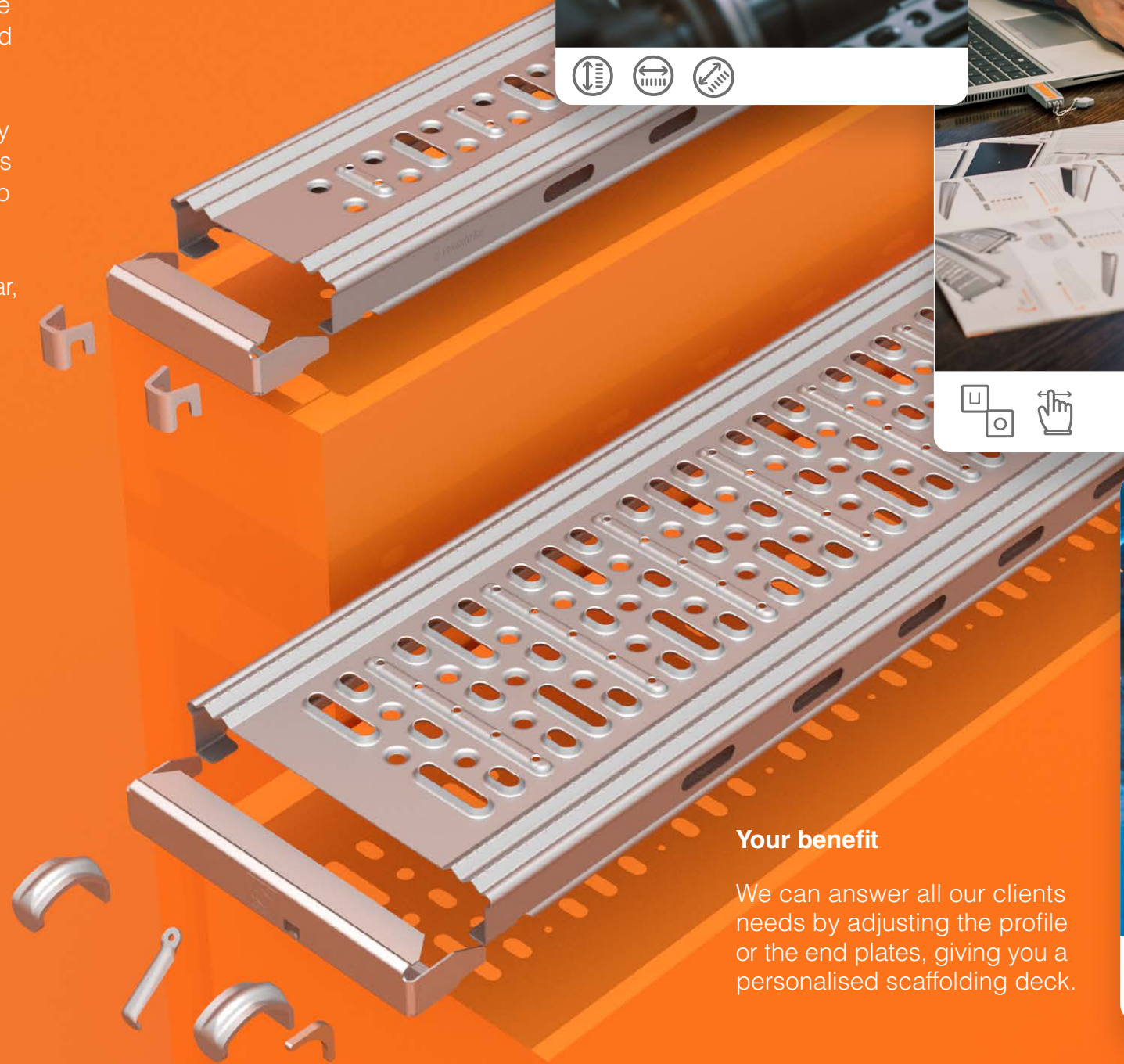
Pick the length of the platform needed.



Decide between u-type and tubular fittings.



Adapt the hooks position.



Your benefit

We can answer all our clients needs by adjusting the profile or the end plates, giving you a personalised scaffolding deck.

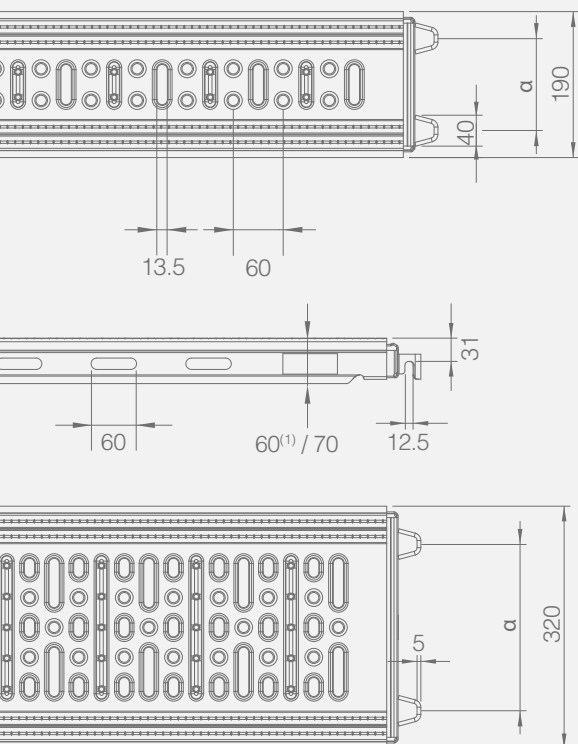
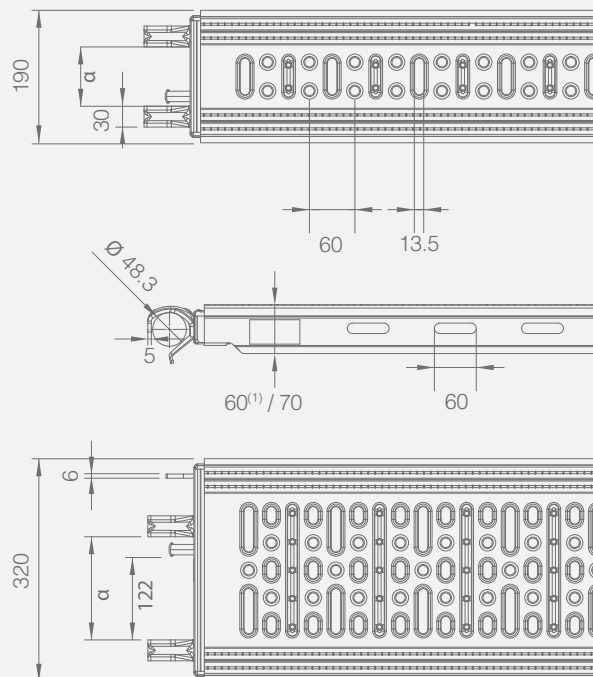


Standard size and load class chart

O-TYPE

Ref.	Width ^(cm)	Length ^(cm)	Profile ^(cm)	Load class	Weight ^(kg)
US.PLC19X6X073	19	73	6	6	3,8
US.PLC19X6X109		109			5,4
US.PLC19X6X140		140			6,7
US.PLC19X6X157		157		7,5	5
US.PLC19X6X207		207		9,6	
US.PLC19X6X257		257		11,9	
US.PLC19X6X307	32	307	6	6	14,1
US.PLC32X6X073		73			5,3
US.PLC32X6X109		109			7,3
US.PLC32X6X140		140		9,0	4
US.PLC32X6X157		157		9,9	
US.PLC32X6X207		207		12,7	
US.PLC32X6X257 ⁽¹⁾	257	15,8	3		
US.PLC32X6X307 ⁽¹⁾	307	18,7			
US.PLC32X7X257	257	16,4		5	
US.PLC32X7X307	307	19,3			

⁽¹⁾ Budget friendly model for light duty



U-TYPE

Ref.	Width ^(cm)	Length ^(cm)	Profile ^(cm)	Load class	Weight ^(kg)
FA.PLC19X6X073	19	73	6	6	3,6
FA.PLC19X6X107		107			5,1
FA.PLC19X6X109		109			5,1
FA.PLC19X6X140		140		6,5	5
FA.PLC19X6X157		157		7,2	
FA.PLC19X6X207		207		9,4	
FA.PLC19X6X257	32	257	6	6	11,6
FA.PLC19X6X307		307			13,8
FA.PLC32X6X073		73			4,9
FA.PLC32X6X107		107		6,8	
FA.PLC32X6X109		109		6,9	
FA.PLC32X6X140		140		8,6	3
FA.PLC32X6X157	157	9,6			
FA.PLC32X6X207	207	12,3			
FA.PLC32X6X257 ⁽¹⁾	32	257	7	5	15,4
FA.PLC32X6X307 ⁽¹⁾		307			18,3
FA.PLC32X7X257		257			16,0
FA.PLC32X7X307	307	18,9			

⁽¹⁾ Budget friendly model for light duty